

POP®



ProSet® 3400

The lightweight tool with heavyweight force

Features & Benefits

Performance

- High force-to-weight ratio
- Quick disconnect nose housing
- Quick disconnect jaw case
- Quick disconnect Mandrel Collection System
- Spring return for a reliable fast setting cycle

Ergonomic

- Lightweight, strong polymer construction
- Comfortable two finger, low activation force trigger
- Directionable air exhaust (MCS model)
- On/Off, left or right swivel air fitting

Adaptability

- POP® Rivet Presenter (RP) compatibility
- POP® Remote Mandrel Collection System (MCS5000)
- POP® Speciality Heads

Safety

- Air-isolation during MCS removal



The lightweight ProSet® 3400 rivet tool is the heavyweight of the ProSet® family. Designed specifically to set a wide range of blind rivets, including 6.4 mm High Strength and Stainless Steel, the tool delivers 18.5 kN of pulling force with a "highest in class" force-to-weight ratio of 9.7 kN/kg.

The 3400 tool features many innovative high performance features including a patented "Quick Disconnect" nose housing and jaw case for rapid cleaning and maintenance of the front end of the tool without the need for tools. With the 3400 "Quick Disconnect" Mandrel Collection System (MCS), mandrels are safely collected and can be quickly disposed of, maintaining cleaner work areas. An air-isolation switch on the MCS prevents air flow when the MCS is disconnected and allows mandrels to be disposed of safely. The tough aluminum casing enhances the life of the tool.

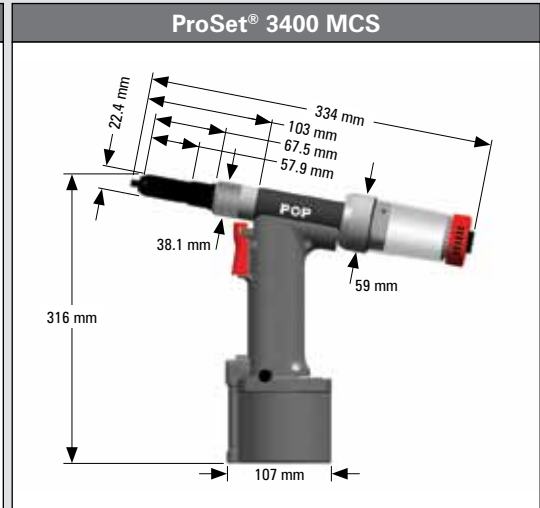
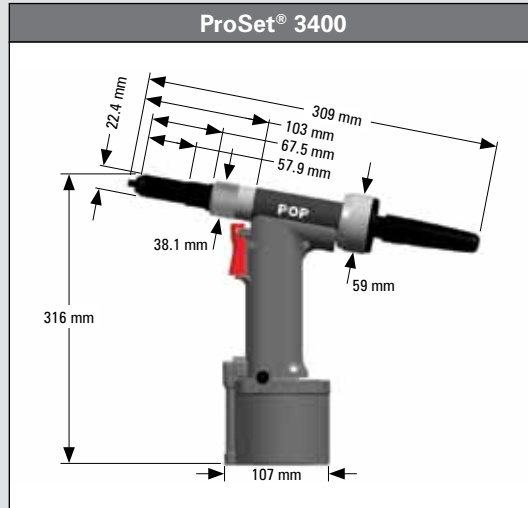
A left or right 90° swivel air fitting ensures the tool can be adapted to virtually any workstation configuration, while the "on/off" switch minimises air consumption. A spring return ensures fast, reliable setting cycles. An extended 200 mm front end is also available for extra reach in special setting situations.

The ProSet® 3400 is also compatible with other Emhart Teknologies automation systems including the Remote Mandrel Collection System (MCS) and the POP® Rivet Presenter (RP). The 3400 will set 3.2 mm, 4.0 mm, 4.8 mm and 6.4 mm diameter rivets in all materials including stainless steel high strength structural rivets.

RIVTREC®

Emhart®
Teknologies

POP® ProSet® 3400 Rivet Tool



Weight	1.90 kg
Length	309 mm
Height	316 mm
Tool Stroke	26 mm
Pulling Force	18,500 N @ 6.2 bar
Force/Weight Ratio	9.7 kN/kg
Air Consumption	4.86 litres/rivet

Weight	2.00 kg
Length	334 mm
Height	316 mm
Tool Stroke	26 mm
Pulling Force	18,500 N @ 6.2 bar
Force/Weight Ratio	9.2 kN/kg
Air Consumption	80 litres/min (max)

Rivet Capacity

Rivet Type	Material (Body – Mandrel)	Rivet Diameter			
		3.2 mm*	4.0 mm*	4.8 mm**	6.4 mm†
Open End & Multi-Grip™	Aluminium – Aluminium	✓	✓	✓	✓
	Aluminium – Steel/St. Steel	✓	✓	✓	✓
	Steel – Steel	✓	✓	✓	✓
	St. Steel – St. Steel	✓	✓	✓	✓
	Monel – Steel/St. Steel	✓	✓	✓	✓
Closed End	Aluminium – Aluminium	✓	✓	✓	✓
	Aluminium – Steel/St. Steel	✓	✓	✓	✓
	Copper – Steel	✓	✓	✓	✓
	Steel – Steel	✓	✓	✓	✓
	St. Steel – St. Steel	✓	✓	✓	✓
LSR Rivets	Aluminium – Aluminium	✓	✓	✓†	
HR™ Rivets	Steel – Steel	✓	✓	✓†	
F Series	Aluminium – Aluminium				✓
	Steel – Steel				✓
T Rivet	Aluminium – Steel	✓	✓	✓†	✓
Self Plugger	Steel – Steel	✓	✓	✓†	✓
	Aluminium – Aluminium			✓†	✓
UltraGrip™	Aluminium – Aluminium			✓†	✓
	Steel – Steel			✓†	✓
	St. Steel – St. Steel			✓†	✓

* Use PRG540-46 Jaws with FAN276-064 Jaw Pusher setup

** Use PRG540-46 Jaws and DPN276-006 Jaw Pusher setup

† Use PRG540-44 Jaws and DPN276-006 Jaw Pusher setup

NOTE: St. Steel = Stainless Steel

Optional Accessories

Part Number	Description
FA203-408	MCS5000 Adaptor Kit for 4, 5, 6 size rivets
FA203-414	MCS5000 Adaptor Kit for 8 size rivets
FAN276-075	ProSet® 3400 200 mm Extension Kit
FAN276-152	ProSet® 3400 Seal Kit
FAN276-165	Mandrel Collection System Retrofit Kit
PRH840-3400	PRH840 Corner Head Adaptor
PRH850-3400	PRH850 Corner Head Adaptor
RP4-501	RP4/RP5 Receptacle
RP6-501	RP6 Receptacle



Corner Head



MCS Retrofit Kit

RIVTREC®

www.emhart.com

Emhart® Teknologies