

# PowerBird® Gold Edition

## **Strong, stronger, PowerBird® Gold Edition – The exclusive Gold Edition with 18,000 N traction power by GESIPA®, the inventor of battery powered riveting**

### **The strong one**

PowerBird®, the allrounder of the GESIPA® Bird family with high versatility is now available with higher power: with **18,000 N traction power** it can also set the G-BULB®- and PolyGrip® blind rivets up to Ø 6.4 mm all materials.

### **The handy one**

- Fatiguefree working through well balanced weight repartition and ergonomic grip
- Gravity controlled evacuation of spent mandrels: forward through the nosepiece or backwards into the mandrel container
- The quick and automatic reset after each riveting process saves energy and speeds up the operation
- Exchange nosepieces and wrench included in the tool to eliminate work interruptions
- Compact, shockproof tool housing
- Complete with metal carrying case, one battery charger, one battery and four nosepieces (17/32, 17/36, 17/40 and 17/45)



PowerBird® Gold Edition in plastic carrying case with one 14.4 Volt / 2.6 Ah Li-Ion battery and charger

**Part No. 724 0001**

PowerBird® Gold Edition with pressure trigger in plastic carrying case with one 14.4 Volt / 2.6 Ah Li-Ion battery and charger

**Part No. 724 0002**

Set of jaws (3 parts) for PowerBird® Gold Edition

**Part No. 710 2208**

GESIPA Blindniettechnik GmbH  
Nordendstraße 13-39  
64546 Mörfelden-Walldorf  
Germany

T +49 (0) 6105 962 0  
F+49 (0) 6105 962 287  
info@gesipa.com  
www.gesipa.com

A company of **SFS intec**



**18.000 N  
traction power**

### **Versatility**

- Blind rivets from Ø 4.8 mm steel up to Ø 6.4 mm all materials,
- BULB-TITE® blind rivets up to Ø 7.7 mm all materials,
- MEGA GRIP® blind rivets up to Ø 6.6 mm alu and steel,
- G-BULB® blind rivets up to Ø 6.4 mm all materials and
- PolyGrip® blind rivets up to Ø 6.4 mm all materials

### **Economy**

- Excellent price-performance ratio
- Large operating range
- Short working sequences
- High capacity through 2.6 Ah battery

### **With Li-Ion energy**

- 2.6 Ah battery, alternatively 1.3 Ah on request
- No memory-effect
- High energy yield through high voltage and low weight for easy and fast operation
- Extremely low self discharge
- Battery shape allows the tool to be stored upright

**GESIPA®**

# PowerBird® Gold Edition

## Strong, stronger, PowerBird® Gold Edition

### Technical characteristics

Traction power:	18.000 N
Weight (incl. battery):	2.2 kg
Drive:	DC motor
Stroke:	20 mm

### Battery

Nominal voltage:	14.4 V
Capacity:	2.6 Ah
Number of cells:	8
Cell type:	Li-Ion
Weight:	0.5 kg (1.1 lbs)
<b>Part No.</b>	<b>725 1049</b>

### Battery charger

Primary voltage:	230V/50Hz
Charging time:	approx. 100 Minutes
Weight:	0.6 kg (1.32 lbs)
<b>Part No.</b>	<b>725 1134</b>

### Nosepiece allocation - Typical performance per charge

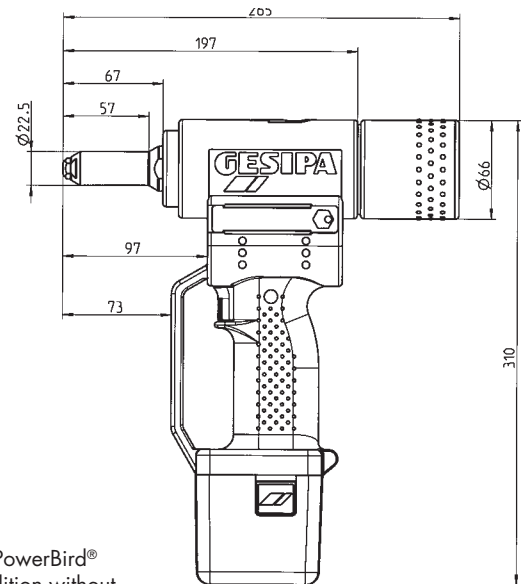
### BULB-TITE®, PolyGrip®, G-Bulb® and standard blind rivets

Blind rivet Ø in mm	Material	Pcs/ battery charge	Nosepiece	P/N
4.8 and 5.0	Steel, Alu/Alu	<b>700</b>	17/32	<b>725 2067</b>
4.8 and 5.0	Stainl. Steel, Stinox, PG-Steel, PG-Stainl.	<b>560</b>	17/36	<b>725 2083</b>
6.0	Alu	<b>560</b>	17/36	<b>725 2083</b>
6.0	Steel	<b>300</b>	17/40	<b>725 2560</b>
6.4	Alu	<b>420</b>	17/40	<b>725 2560</b>
6.4	Steel, PG-Steel, Alu/ Alu, Stainless, G-Bulb	<b>250</b>	17/45	<b>724 3065</b>
8	Alu	<b>350</b>	17/45	<b>724 3065</b>

### BULB-TITE®-blind rivets

4.0	Alu/Alu	<b>1,000</b>	17/26 BT*	<b>725 2202</b>
5.2	Alu/Alu	<b>900</b>	17/32 BT*	<b>725 2210</b>
6.3	Alu/Alu	<b>590</b>	17/42 BT*	<b>725 2229</b>
6.3	Steel/Steel	<b>310</b>	17/42 BT*	<b>725 2229</b>
6.3	Monel/Stainl. Steel	<b>380</b>	17/42 BT*	<b>725 2229</b>
7.7	Alu/Alu	<b>470</b>	17/48 BT*	<b>725 2237</b>
			and jaws	<b>715 1527</b>

### Dimensions



Above PowerBird®  
Gold Edition without  
pressure trigger

### MEGA GRIP® blind rivets

Blind rivet Ø in mm	Material	Pcs/ battery charge	Nosepiece	P/N
4.8	Alu/Alu	<b>600</b>	17/31 MG*	<b>725 2250</b>
6.4	Alu/Alu	<b>420</b>	17/41 MG*	<b>725 3146</b>
4.8	Steel/Steel	<b>420</b>	17/31 MG*	<b>725 2250</b>
6.4	Steel/Steel	<b>150</b>	17/41 MG*	<b>725 3146</b>

\* Available as special accessory  
Special nosepieces available on request

### G-Bulb® blind rivets

4.8	Steel/Steel	<b>530</b>	17/32	<b>725 2067</b>
6.4	Steel/Steel	<b>390</b>	17/45	<b>724 3065</b>
4.8	Stainless Steel	<b>470</b>	17/32	<b>725 2067</b>
6.4	Stainless Steel	<b>390</b>	17/45	<b>724 3065</b>

Your partner:

GESIPA Blindniettechnik GmbH  
Nordendstraße 13-39  
64546 Mörfelden-Walldorf  
Germany

T +49 (0) 6105 962 0  
F+49 (0) 6105 962 287  
info@gesipa.com  
www.gesipa.com

A company of **SFS intec**

**GESIPA®**