

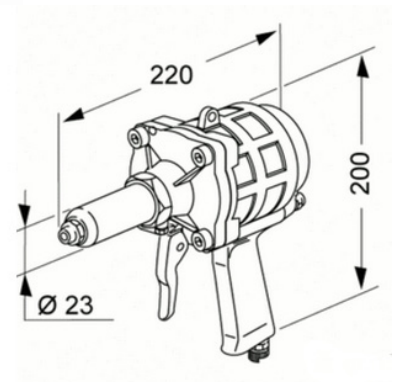
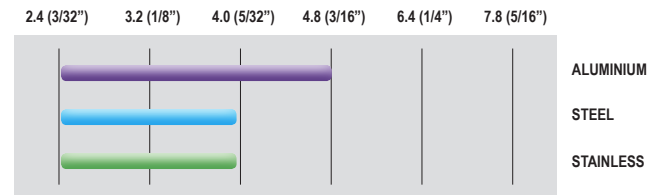
RIVTEC®

FAR RAC83

Air Riveting Tool for Rivets up to 4.8mm Ø

FAR RAC83 is a solid and reliable air only riveting tool with simple double acting pneumatic actuation. Designed for industrial or manufacturing applications, it is optimal for installations of standard aluminium rivets. Made in Italy, this tool has 12 months warranty.

Setting Capacity



Specifications		Package Accessories
Product Code:	FT-RAC83	Nosepieces for 2.4mm, 3.2mm, 4.0mm & 4.8mm rivets
Weight:	1.5 kg	Operating Manual
Length:	220 mm	
Operating Air Pressure:	6 bar	
Pulling Force:	5,372 N	
Stroke:	18 mm	

* Dimensions and specifications are subject to change without notice. Check your distributor for the latest data sheet.