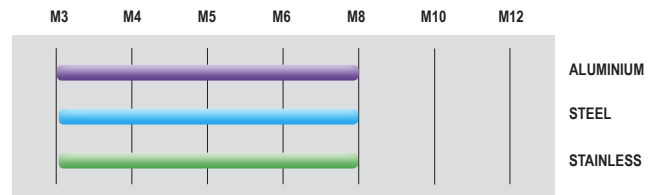


FAR KJ60

Air Rivet Nut Tool for Rivet Nuts up to M8

FAR KJ60 is a high quality rivet nut setting tool suited to high production applications. Mandrel change and stroke adjustment is uncomplicated, The tool is supplied in a well organised plastic carry case. Made in Italy, this tool has 12 months warranty.

Setting Capacity



Fast and simple change of mandrel and nosepiece

Automatic rivet nut wind on

Fast setting cycle with forward/reverse trigger for optimum user control

Swivel airline fitting: 1/4" BSP thread

Supplied in a lightweight plastic carry case

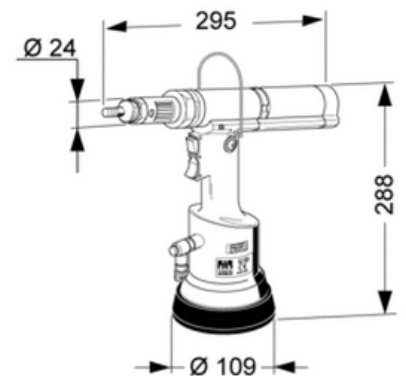


Quick and easy stroke adjustment

Spring balance attachment

Unique hydraulic oil refill system

Reduced body size and weight of the tool for flexible and ergonomic operation



Specifications

Product Code:	FT-KJ60
Weight:	2.2 kg
Length:	295 mm
Operating Air Pressure:	6 bar
Pulling Force:	13,656 N

Package Accessories

Mandrels and nosepieces for M3, M4, M5, M6 & M8 rivet nuts
Pin Disengagement Tie Rod
5mm Allen wrench
Hydraulic Oil Bottle
Airline Fitting
Operating Manual

* Dimensions and specifications are subject to change without notice. Check your distributor for the latest data sheet.