

RIVTEC®

FAR K25

Lever Tool for Rivets up to 7.8mm Ø

FAR K25 is a heavy duty lever riveting tool with ergonomic grips designed for comfortable and safe operation. It features an integrated mandrel collector. Its lever and gear design reduces physical force required to set rivets. This tool is ideal for on-site work and low volume installations for larger diameter rivets.



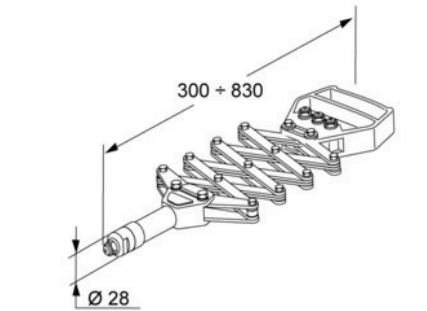
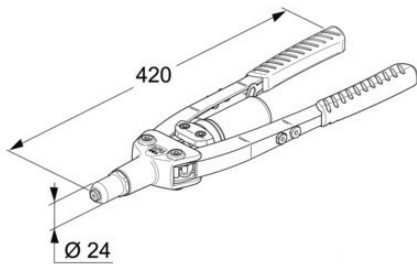
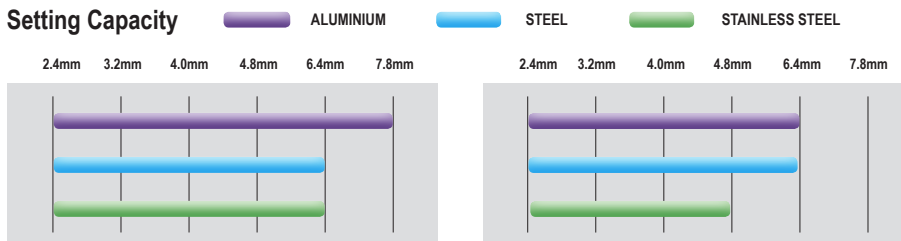
FAR K5

Lazy Tong for Rivets up to 6.4mm Ø

FAR K5 is a heavy duty lazy tong riveting tool, in robust aluminium and steel construction. The strong steel linkage system is designed for improved mechanical advantage. This tool is supplied with 6 nosepieces.



Setting Capacity



Specifications

Product Code:	FT-K25
Weight:	1.5 kg
Length:	420 mm
Stroke:	10 mm

Package Accessories

- Nosepieces for 3.2mm, 4mm, 4.8mm, 6.4mm & 7.8mm rivets
- 12mm maintenance wrench
- Operating instructions

Specifications

Product Code:	FT-K5
Weight:	1.75 kg
Length (closed):	300 mm
Length (extended):	830 mm
Stroke:	14 mm

Package Accessories

- Nosepieces for 2.4mm, 3.2mm, 4mm, 4.8mm & 6.4mm rivets
- 12mm maintenance wrench
- Operating instructions

* Dimensions and specifications are subject to change without notice. Check your distributor for the latest data sheet.